

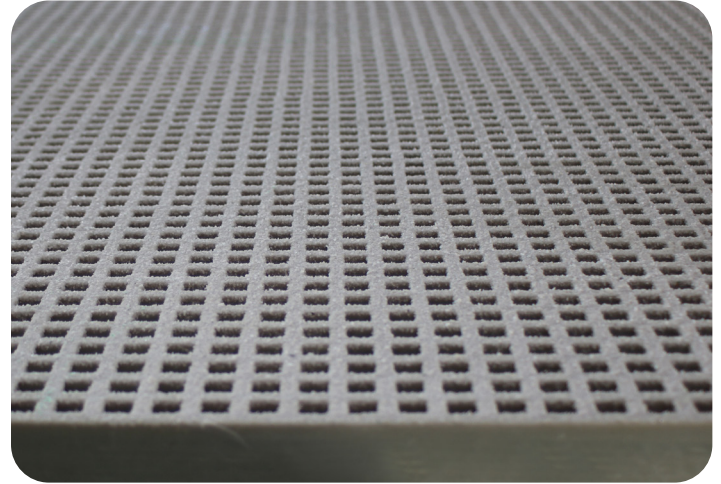
MINI MESH GRATING

DATASHEET

Physical & Mechanical Data

Mechanical Data

- Elastic Modulus 27 GPa
- Flexural Strength 2.8 GPa
- Tensile Strength 650 MPa
- Compressive Strength 90 MPa
- Dielectric Strength 18 KW/mm
- Specific Gravity 1.5 ÷ 1.7
- Thermal Expansion Factor 13×10^{-6} mm/mm °C
- Water Absorption 0.1% + 0.3% x 24 hours (ISO R62)
- Operating Temperature -100°C to + 180°C

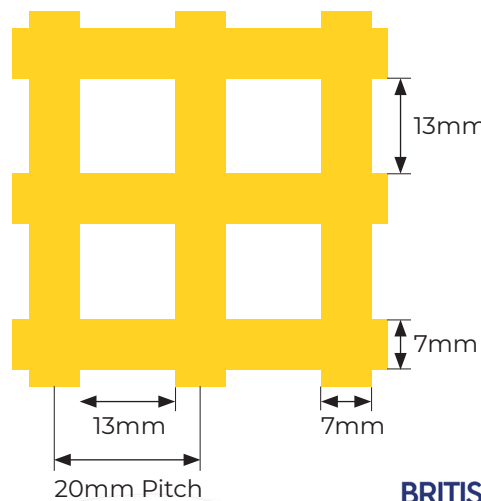


Physical Data

Grating Depth (mm)	Grating Pitch (mm)	Bar Thickness		Per 300mm of Width				No. of bars per 300mm	% Glass Content	Weight (kg/m ²)	% Open Area
		Top	Bottom	cm ²	cm ³	cm ⁴	El kg/m ²				
14	20	7	5					15	32.3		42
22	20	7	5	14.8	4.2	5.5	78.1	15	32.3	16	42
30	20	7	5	17.9	9.3	17.5	250	15	32.2	18.8	42
38	20	7	5	21.2	14.7	30.8	448	15	32.2	25.5	42

Manufacturing Tolerances

- Standard Panel Size = +2mm, -0mm
- Cut Panel Size = ±3mm
- Thickness = ±1mm
- Mesh Pattern = ±0.5mm



FOR MORE INFORMATION

Call: 01206 322 899

Email: sales@deck-safe.co.uk

Visit: www.decksafe.co.uk

